

**Wayne**  
**Dalton**<sup>®</sup>  
GARAGE DOORS

M O D E L

**8700**

SPECIALTY VINYL



*Sonoma panel, Cape Cod Gray finish, Williamsburg I windows*

# strong. durable. stylish.

Model 8700 is engineered to be maintenance free and provides an elegant look that will last a lifetime.

These doors won't rust, fade, crack or dent. It is the ultimate door for easy-care living.



*Colonial panel, Glacier White finish, Ruston windows*

## PERFORMANCE FEATURES

- This door has full PVC color construction. This means scratches are less visible because the color goes all the way through the material.
- The UV-Resin used in the door's construction contains special polymers that protect the door sections from the sun's harmful ultraviolet rays.
- Tamper-resistant safety bottom brackets help avoid possible injury by preventing inadvertent loosening while the counterbalance cables are still under tension.
- The Wayne Dalton TorqueMaster® Plus is our exclusive counterbalance system that safely and cleanly contains the springs inside a steel tube. TorqueMaster Plus® features anti-drop safety technology.

- Recommended for coastal regions for its resistance to salt air and sand.
- **High Cycle Spring Option**  
Choose a 25,000 cycle spring for almost twice the life of a standard torsion spring.

### Warranty

Wayne Dalton warrants this door for 15 years against peeling, flaking, chipping or cracking of the vinyl skin and 5 years against excessive color fading of the vinyl skin. See the warranty certificate for more details.



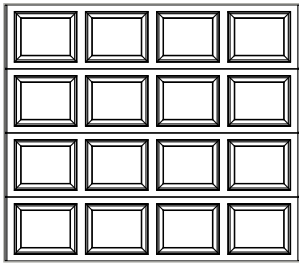
### WindSafe™

Wayne Dalton WindSafe™ doors have wind load-rated reinforcements to comply with various approval agencies, including Florida Building Code (FBC), Texas Department of Insurance (TDI) and Miami-Dade County (FL).

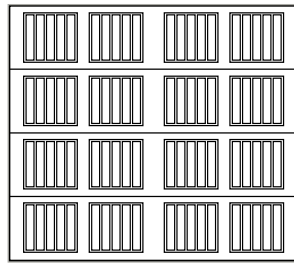




## 1 Choose Your Style



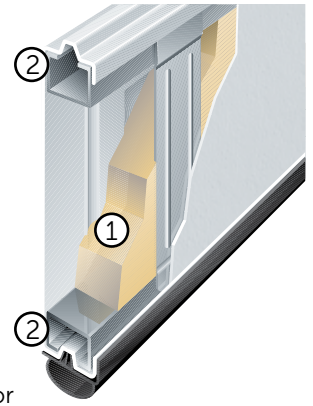
Colonial



Sonoma

① R-11.75\* polyurethane insulation is permanently bonded to the vinyl skin for thermal efficiency, durability and added rigidity.

② Twin 20-gauge steel C-channels run full length of each panel and are anchored to interior steel stiles for strength.



\*Wayne Dalton uses a calculated door section R-value for our insulated doors.

## 2 Choose Your Color



Glacier White



Adobe Cream



Monterey Sand



Cape Cod Gray

Actual door colors may vary slightly from the brochure due to fluctuations the printing process. Always request a color sample from your Wayne Dalton Dealer for accurate color matching.

## 3 Choose Your Windows

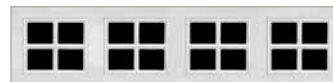
### Designer Windows



Cathedral I



Ruston



Stockton I



Williamsburg I

Optional insulated glass available for improved thermal performance. Designer windows are available with clear glass only.

### Etched Windows

#### Privacy glass



Diamond



Eclipse



Prairie

#### Clear glass



Diamond



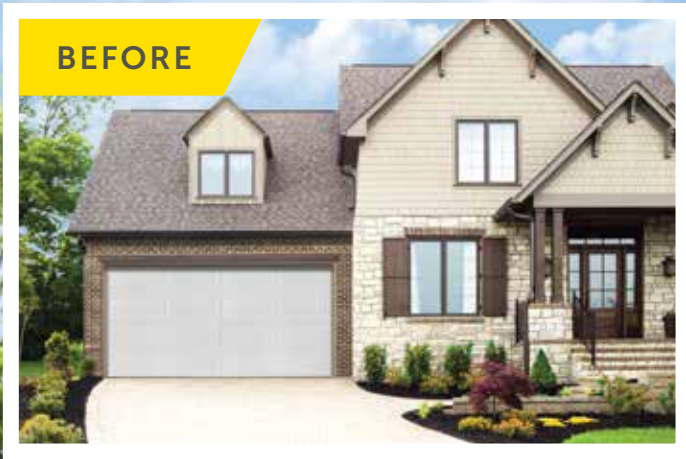
Eclipse



Prairie

AFTER

BEFORE



*Sonoma panel, Monterey Sand finish, Stockton I windows*



# Garage Door Design Center

To see this door on your home, visit [wayne-dalton.com](http://wayne-dalton.com) and try our Garage Door Design Center. Upload a photo of your home and experiment with panel designs, color options, window styles and decorative hardware designs. Instant curb appeal awaits you with just a click of your mouse.

**Wayne Dalton**  
GARAGE DOORS

2501 S. State Hwy. 121 Bus., Ste 200  
Lewisville, TX 75067

[wayne-dalton.com](http://wayne-dalton.com)



DISTRIBUTED BY:



For all your Residential Garage Door  
and Garage Door Operator  
needs in Sonoma County  
Service Repair  
Sales and Installation

(707) 795-D00R (3667)